

HP-7101 Hydropanel for sodium analyzer

Hydropanel HP-7101 for sodium analyzer is designed for preconditioning analyzed liquid: special Fittings stabilize the flow through the measuring cell, in which are placed a combined pH electrode with a temperature sensor and ion-selective pNa-electrode, providing noise immunity measurement, addition of an alkalinizing agent in analyzed liquid, and for setting the reference analyzer solutions.

BASIC TECHNICAL SPECIFICATION AND PARAMETERS

Measuring cell.....	flowing
Basic materials, contacting.....	plexiglass,
the environment to be analyzed.....	stainless steel
Alkalinizing agent.....	diethylamine
measuring range of input liquid flow.....	(0,9..48) l/h
Value of sample flow through measuring cell.....	(4..5) l/h
Temperature of analyzing liquid.....	(0..50)°C
Weight.....	7,5 kg

Hydropanels can be equipped with an electronic flow meter (optional). On the HP installed sodium analyzer Industrial SA-7101. Hydropanels together with the analyzer is used for the control of water treatment processes in the energy sector: thermal power station, power plant, nuclear power plants and water treatment technology.

OVERALL AND MOUNTING DIMENSIONS

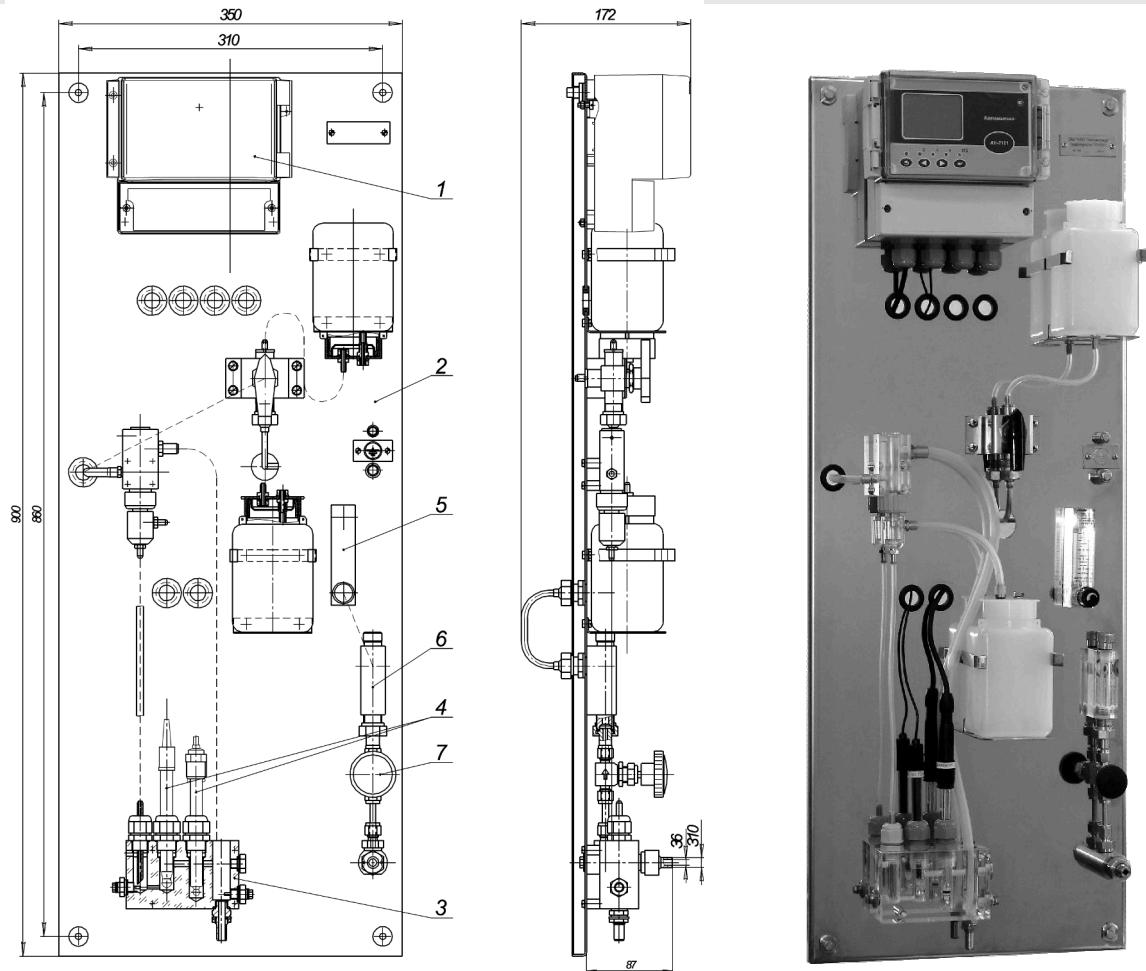


Figure 1. Hydropanel HP-7101 (stainless steel)

- 1 - sodium analyzer SA-7101; 2 - the panel from stainless steel; 3 - cell; 4 - pH and pNa electrodes; 5 - rotameter; 6 - the filter; 7 - adjusting valve